

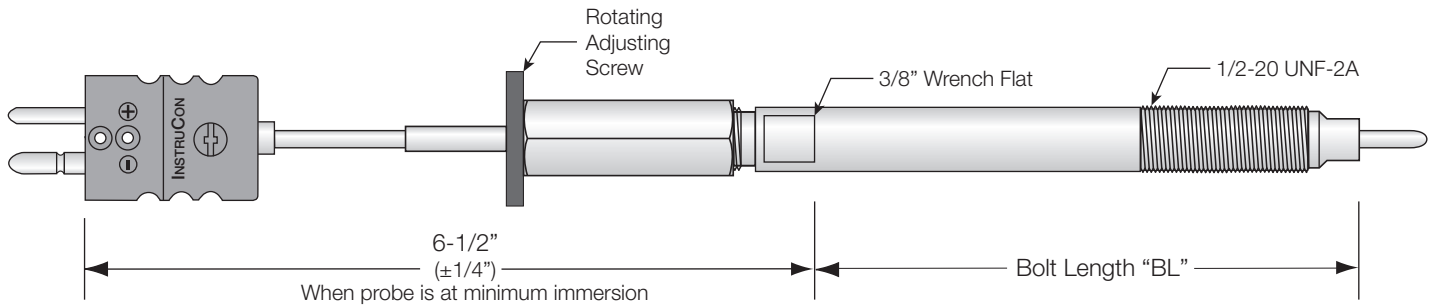
# Retractable Melt Bolt T/C

## Retractable Melt Bolt Thermocouple

The retractable melt bolt thermocouple measures melt stream temperature under working conditions. It can be installed wherever standard melt bolt thermocouples are used. Bolt lengths of 3", 5" and 7" are available. A ceramic insulator in the bolt tip reduces conduction from the barrel.

The probe is fitted with a positive stop to prohibit removal unless the hex nut is disengaged from the bolt. The 1/8" diameter probe

provides minimum barrier to melt flow. You can adjust the tip of the probe from 1/8" to 1" on standard models; other depth ranges are available under special order. The element leads are MgO insulated; the measuring junction is exposed for fast response and rated to 900°F. This thermocouple is available with either single or dual Type J elements. Replacement elements are available.



Code	Field 1, 2, 3								Code	Field 4, 5, 6, 7, 8				Code	Field 10, 11, 12			Code	Field 14
N/A	Not Used	1	2	3	A	1	0	5	2	9	1	0	0	13	0	15		0	Reserved

Code	Field 9: Assembly or Replacement Element
8	Retractable Melt Bolt Assembly
9	Replacement Element Only

Code	Field 13: Number of Elements
0	Single Element
1	Dual Element

Code	Field 15: Melt Bolt Length "BL"
3	3" Melt Bolt
5	5" Melt Bolt
7	7" Melt Bolt
8	8" Melt Bolt
9	Not listed above. Specify 9 = "Length" on order.

Replacement Element Only Model Numbers	Elements	Size
A-1052-9-100-0-03	Single	3"
A-1052-9-100-0-05	Single	5"
A-1052-9-100-0-07	Single	7"
A-1052-9-100-0-09	Single	Other
A-1052-9-100-1-03	Dual	3"
A-1052-9-100-1-05	Dual	5"
A-1052-9-100-1-07	Dual	7"
A-1052-9-100-1-09	Dual	Other